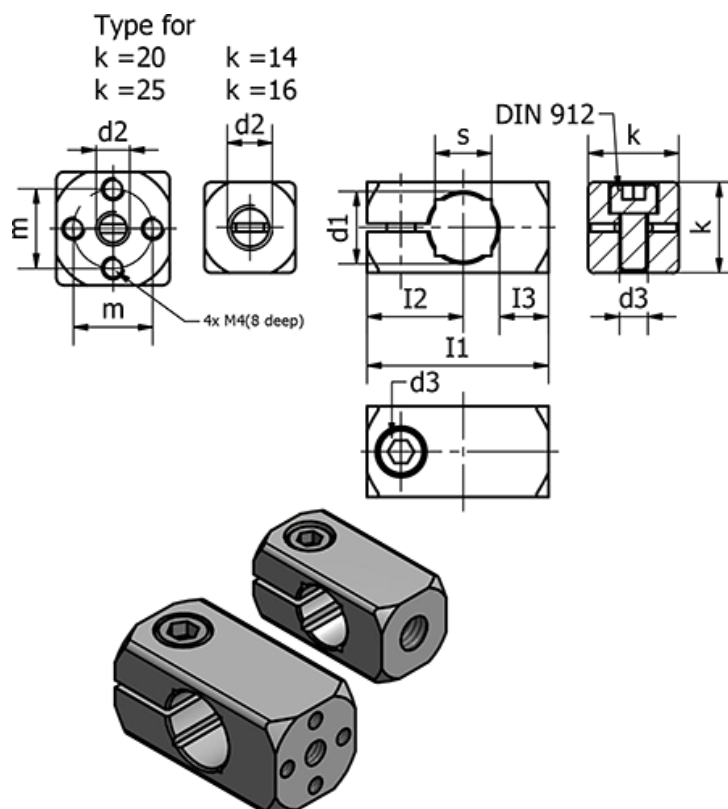


Article number: 20478B8M5ELS

Description: E+G Clamp mounting - GN 478-B8-M5-ELS

Measures



Clamping kit for d2 = GN 511-M4-14

d1 h11 = 8

d2 = M5

d3 = M4

l1 = 25

l2 = 13.5

l3 = 7.5

k = 14

m =

s =

Weight (g) = 11